

# Busbar 250 A 4P and 6P with cover

www.victronenergy.com

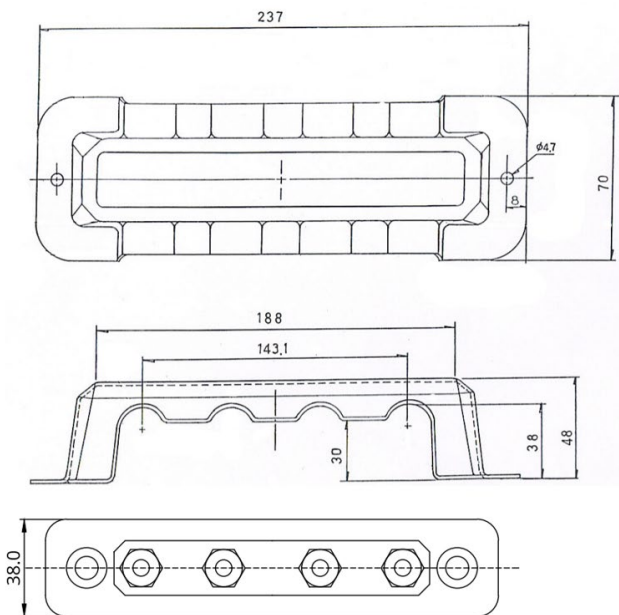


Busbar 250 A with 4 terminals without cover



Busbar 250 A with 6 terminals without cover

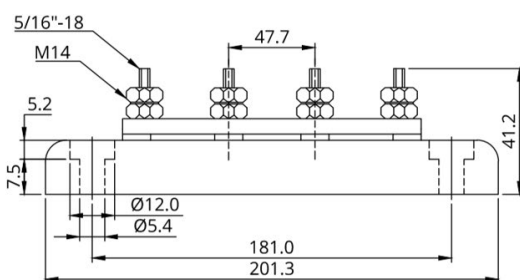
Busbar 250 A with cover	
Max. current rating	250 A
Max. Voltage rating	70 VDC
Terminal diameter	5/16 inch / 8 mm
Terminal height	0.67 inch / 17 mm
Terminal material	Stainless steel
Hex nut material	Tin-plated copper
Recommended torque	110 lbf-inch / 13 N-m
Busbar strip material	Tin-plated copper (5 x 24 mm)
Base material	ABS, black, UL 94 V-0
Cover material	ABS, black, UL 94 V-2
Weight, 4 terminals	0,5 lb / 0,24 kg
Dimensions (hxwxd) (with cover)	1.9 x 9.4 x 2.8 inch 48 x 237 x 70 mm
Weight, 6 terminals	1.0 lb / 0,43 kg
Dimensions (hxwxd) (with cover)	1.9 x 9.4 x 2.8 inch 48 x 237 x 70 mm



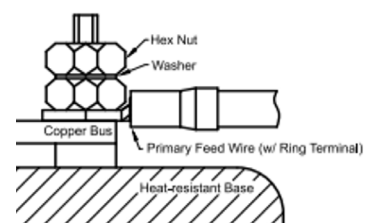
Cover for busbar 250 A with 4 terminals



Cover for busbar 250 A with 6 terminals



Busbar 250 A with 4 stud terminals and cover



Recommended mounting